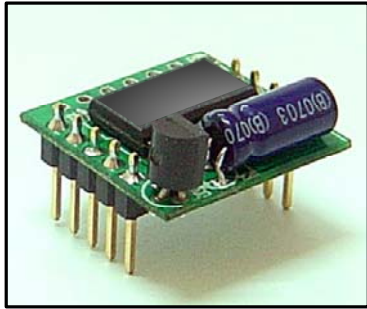
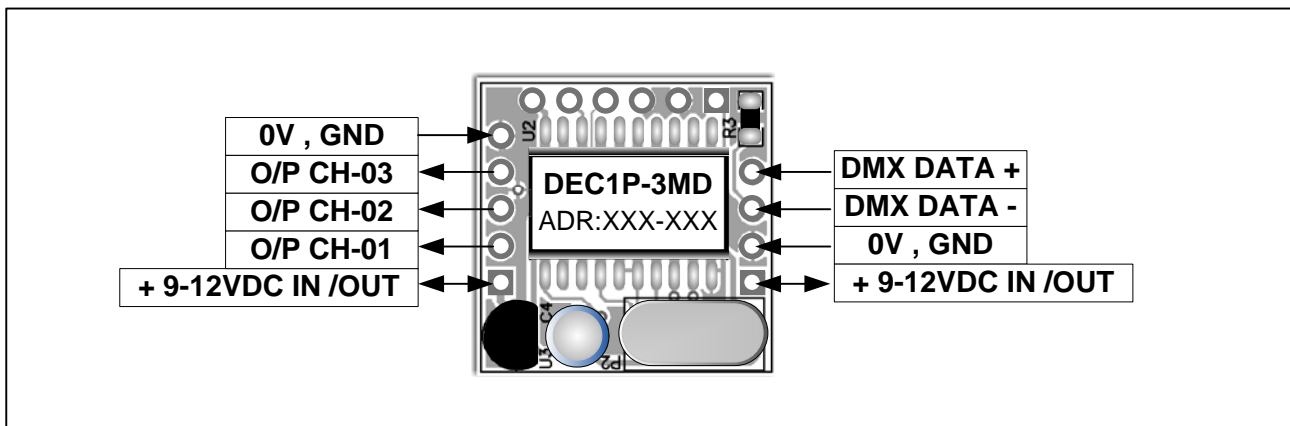


DEC1P-3MD



DMX-512 LED Dimmer 3 Channels Module
for
DMX-512 LED Lighting Applications

DEC1P-3MD PIN ASSIGNMENT



DEC1P-3MD SPECIFICATIONS

Input Signal Control	DMX-512 Signal Protocol
Output Function	3 Channels Negative PWM 8 Bit Resolution 250Hz 350mA / Channel
DMX Option	<ul style="list-style-type: none"> - Full speed DMX support 512 channel @ 44 fps. - DMX Signal Overrun & Frame Error Detect - Output Memory for DMX Signal Lost - 4096 Ch. Max DMX Address Detection
DMX Address Setup	Fixed Address Module
Operating Input Voltage	<ul style="list-style-type: none"> - 9 to 12 VDC System / Direct Connect - 24 VDC System / DC Input Resistor Drop
Current Consumption	100mA Max for Controller Unit
Module Size	20mm. x 20mm.
Weight	3 Gram

DEC1P-3MD MODULE OPERATION

